

LCD Monitor User Manual

GETTING STARTED.....	1
Introduction	1
Features	1
Unpacking and Checking of the Package Contents....	1
Installing the Monitor.....	2
OPERATING THE MONITOR.....	3
How to Use the OSD (On Screen Display)	4
Menu Table	5
FOR YOUR SAFETY	6
SPECIAL NOTES ON LCD MONITORS	7
Cleaning.....	7
Power Management	7
Supported Timing	8
Troubleshooting Procedures	8
CONFORMITY AND COMPLIANCE	9

GETTING STARTED

WARNING: *Do not operate the LCD monitor with unspecified power supply. Usage of incorrect voltage will cause malfunction and may cause fire or electric shock.*

Introduction

Bright and sharp images of text and graphics are what you will find with your LCD color monitor. They provide a maximum resolution of 1280x1024 pixels with a flicker-free display at up to 75Hz refresh rate and offer bright, sharp and vibrant color display without the radiation emission and hazards of CRT monitors.

Features

- Support SXGA resolution of 1280x1024 pixels with up to 16.2 M colors
- Wide viewing angle support
- Wide tilting angle : - 3 degrees to 20 degrees
- VESA DPMS-compliant power saving: automatically powers down the monitor after a defined period of inactivity.
- Digital Character Smoothing
- Automatic Set-Up
- Ergonomic Design: TCO '95/'99 Approved
- Windows 95/98/2000/XP Plug & Play Compliant
- Versatile, functional & User friendly OSD
- Plug & Play: Conform to the VESA standards and support DDC1/2B spec.

Unpacking and Checking of the Package Contents

Before unpacking your LCD Monitor, prepare a stable, level, and clean surface near a wall outlet for your LCD Monitor.

1. Set the LCD Monitor box in an upright position and open from the top of the box before removing the right/left cushions.
2. Remove the back cover from your monitor (pull from the bottom of cover to open) to install your PC system.

Accessories



1 pc



1 pc



1 pc



1 pc



1 pc



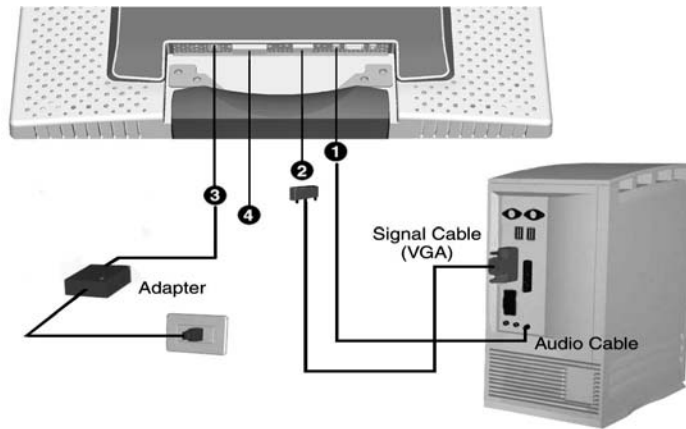
1 pc

Installing the Monitor

- **DO NOT** install the monitor where sudden temperature changes may occur, or in humid, dusty, or smoky areas as it may cause fire, electric shock or damage.
- **DO NOT** place your LCD Monitor near a window as it may be severely damaged if exposed to rain, water, moisture, or sunlight.
- **MAINTAIN** good ventilation; covering of ventilation slots or holes may cause fire.
- **PLACE** the monitor at least 4" (or 10 cm) way from the walls
- **SAFE** storage temperature of the LCD Monitor is in a range of -20 to +65°F.

Connecting the monitor

1. Turn off your PC and the LCD Monitor before connecting your LCD monitor to the PC.
2. Use VGA cable to connect the VGA connector of the LCD Monitor to the VGA port of the PC system. Make sure the cable head is securely connected. **(Option: If your system is Dual signal model, then use the DVI cable to connect the DVI connector to the DVI port)**
3. Use Audio cable to connect "Audio in" jack on LCD Monitor and sound card's "Audio out" jack.
4. Plug the DC connector of the adaptor to your monitor's DC jack.
5. Plug the female end of the power cord into the AC adaptor.
6. Connect the male end of the power cord into a wall socket.
7. Turn on your computer, and then turn on your LCD Monitor.



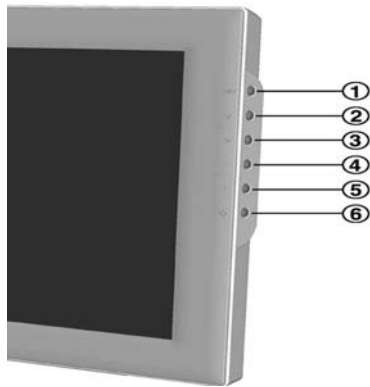
NOTE

For added protection, it is recommended to use a Surge Protection device plugged between the AC Adapter and the electrical wall outlet to prevent the effects of sudden current variations from reaching the LCD Monitor. Sudden peaks of electricity may cause damage to the Monitor.

① Audio in	Connect with Audio cable.
② VGA connector	Connect with VGA cable.
③ Power	Plug into the AC power adapter.
④ DVI connector (optional)	Connect with detachable DVI cable <i>Remark: DVI Cable is for Dual Model use only</i>

OPERATING THE MONITOR

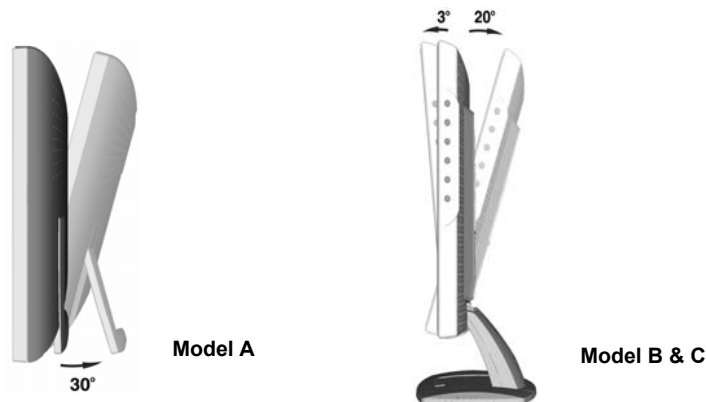
The LCD monitor has been preset at the factory with the Timing shown in Appendix to create optimal picture. Users are also able to adjust the picture to the desired brightness and sharpness by following the instructions.



<i>Buttons</i>		<i>Functions</i>
①	AUTO	Automatically adjust image Clock, Phase, H-Position, V-Position settings
②	◀	Indicating the cursor movement or OSD manual selection in decremental values
③	MENU	Pop up OSD Menu or Enter into sub menu
④	▶	Indicating the cursor movement or OSD manual selection in incremental values
⑤	EXIT	Exit OSD Menu and user setting saving
⑥	Power Switch	Power ON/OFF the monitor

Adjusting the Viewing Angle

Your LCD Monitor is designed to allow you to adjust it to an optimal viewing angle.

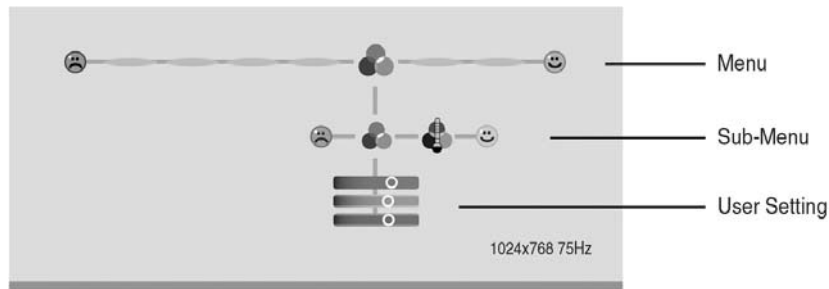


NOTE
 Do not touch the screen while changing the viewing angle. It may damage the screen.
 Make sure not to catch your fingers while changing the viewing angle.

How to Use the OSD (On Screen Display)

OSD function allows the user to easily adjust the display to the desired quality. The OSD menu includes a main menu and a sub-menu.

Structure of OSD Menus



Operating Procedure

Use the buttons on the right side control panel to adjust the OSD

1. Power on the LCD monitor.
2. Press "**MENU**" button to pop up the OSD menu.
3. Press "◀" or "▶" button to select menu item.
4. Press "**MENU**" button to select sub menu.
5. Press "◀" or "▶" button to select sub menu item.
-If User setting does not appear then go to step 9.
6. Press "**MENU**" button to the user setting.
7. Press "◀" or "▶" button to select or adjust.
8. Press "**EXIT**" button when finished adjusting and accept the user setting.
OR
9. Press "**MENU**" button to process this item then accept or reject the setting.

Menu Table

Main Menu	Sub Menu	Function Name	Situation/Option
		All Reset	Recall the all factory default settings.
		Auto Adjust	Automatically adjust image Clock, Phase, H-Position, V-Position settings
		Reset Color	Recall the color default settings
		Reset OSD	Recall the OSD default settings
		Analog	Select Analog signal input (Dual model use only)
		Digital	Select Digital signal input (Dual model use only)
		Mute	Disable or enable sound
		Volume	Volume control
		Brightness	Adjust Brightness
		Contrast	Adjust Contrast
		RGB Adjust	Adjust Red, Green, Blue color
		Color Temperature	Change the color intensity of the temperature selected
		Clock Adjust	To correct flickering text or lines.
		Phase Adjust	To correct flickering text or lines.
		H-Position	Adjust screen horizontal position.
		V-Position	Adjust screen vertical position.
		OSD Time Out	Set the length of time an OSD screen is displayed
		OSD Position	Allow you to move the OSD Menu on the screen
		Accept And Exit	User setting is saved and exit
		Reject And Exit	User setting isn't saved and exit

FOR YOUR SAFETY

WARNING

ALWAYS OPERATE UNDER SPECIFIED POWER SUPPLY

Usage of incorrect voltage will cause malfunction and may cause fire or electric shock.

PROTECT and CORRECTLY USE THE CABLE

Do not pull or bend the power cable and signal cable or place the monitor or any heavy objects on the cables. If the cables are damaged, they may cause fire or electric shock.

IMMEDIATELY STOP OPERATING THE MONITOR WHEN YOU DETECT ANY ABNORMAL OCCURENCE

If you notice any abnormal phenomenon such as strange noise, smoke or smells, unplug the monitor and contact your dealer or the nearest service center immediately.

DO NOT REMOVE THE CABINET

Removing the cabinet may expose you to the danger of fire or electric shock.

DO NOT PUT ANY FOREIGN OBJECT INSIDE THE MONITOR

It may cause fire, electric shock or damage when operating the monitor with foreign objects inside.

DO NOT USE THE MONITOR NEAR WATER

Operating the monitor in close proximity to water where the water may be spilt or splashed onto the monitor may cause fire or electric shock.

BAD WEATHER CONDITIONS

It is advisable not to operate the monitor during heavy thunderstorms as intermittent breaks in power may cause malfunction. Do not touch the plug under these circumstances as it may cause electric shock.

CAUTION

DISCONNECT CABLES WHEN MOVING THE MONITOR

When moving the monitor, always turn off the switch, unplug the monitor, and disconnect the signal cable. If the cables are not properly disconnected when moving the monitor, it may cause fire or electric shock.

DO NOT TOUCH THE PLUG WITH WET HANDS

Pulling or inserting the plug with wet hands may cause electric shock.

HOLD THE PLUG WHEN DISCONNECTING

To disconnect the power cable or signal cable, always pull the cable by the plug. Never pull on the cable as this may cause fire or electric shock.

OTHERS

ERGONOMICS RECOMMENDATIONS

Do not operate the monitor in a dark room or against a bright background. For optimal viewing comfort, the monitor should be just below eye level and 30-60 cm (16-24 inches) away from your eyes. When using the monitor over a prolonged period of time, a ten-minute-break per hour is recommended.

SPECIAL NOTES ON LCD MONITORS

The following are normal with LCD monitors and do not indicate a problem.

- When first turning on the LCD monitor, if the picture does not fit in the display area, it is because of the type of computer that is used. In such case, adjust the picture position to its correct position.(See Operating the Monitor)
- The screen may flicker during initial use. Turn off the power switch and then turn it on again the flickering should disappear.
- Users may notice a little uneven brightness on the screen depending on the desktop pattern they use. It is normal for LCD monitors to show such uneven brightness.
- Due to the nature of the LCD screen, switching of images after a prolonged period of time of displaying the same image, the image from the previous screen may remain. In such case, the screen is recovered slowly by changing the image or turning off the power switch for hours.
- If the screen becomes dark, flickers, or does not light-up, contact your dealer or the nearest service center for a backlight replacement. Do not attempt to replace it yourself.
- If you need to return your unit for service and the original packaging was discarded, please contact your dealer or the nearest service center for advice or replacement of packaging.

Cleaning

WARNING

- If you dropped any material or liquid such as water onto the monitor when cleaning, unplug the power cable immediately and contact your dealer or the nearest service center. Always make sure your hands are dry when unplugging the power cable.

CAUTION

- For safety reasons, turn-off the power switch and unplug the monitor before cleaning.
- Do not scratch or rub the screen with a hard object.
- Never use any of the following solvents on the LCD monitor. Such harsh chemicals may cause damage to the cabinet and the LCD screen.
Thinner Spray-type cleaner Benzene Wax Abrasive cleaner Acid or Alkaline solvent
- Rubbing the cabinet with products made of rubber or plastic for a long period of time may cause degeneration or loss of paint on the cabinet.

Cabinet

- Remove dirt with a lightly moistened cloth and a mild solvent detergent. Then wipe the cabinet with a soft dry cloth.

LCD

- Periodic cleaning with a soft dry cloth is recommended.
- Do not use tissue to clean the screen. It may damage the LCD screen.

Power Management

The LCD Monitor complies with the VESA DPMS (version 1.0p) power management proposal. The VESA DPMS proposal provides four phases of power saving modes by detecting the horizontal or vertical sync signal.

Item	DPMS Mode	Display	Power LED	Power Consumption	Recovery Time	H-sync	V-sync
1	On	Normal	Green	Normal	---	On	On
2	Stand By	No Display	Amber	≤ 5W	3 sec	< 10 KHz	On
3	Suspend	No Display	Amber	≤ 5W	3 sec	On	< 10 Hz
4	Off	No Display	Amber	≤ 5W	3 sec	<10KHz	<10Hz

Supported Timing

Display Mode			Analog	
			Horizontal Frequency	Vertical Frequency
VESA	VGA	640 x 480	31.5 KHz	60 Hz
			37.5 KHz	75 Hz
		720 x 400	31.5 KHz	70.1 Hz
			35.2 KHz	56.3 Hz
	SVGA	800 x 600	37.9 KHz	60.3 Hz
			46.9 KHz	75.0 Hz
			48.1 KHz	72.0 Hz
			48.4 KHz	60.0 Hz
	XGA	1024 x 768	56.5 KHz	70.1 Hz
			58.1 KHz	72.0 Hz
			60.0 KHz	75.0 Hz
			63.98 KHz	60.02 Hz
	SXGA	1280 x 1024	79.97 KHz	75.02 Hz
Macintosh	VGA	640 x 480	35.0 KHz	66.7 Hz
		832 x 624	49.7 KHz	74.6 Hz
MS-DOS		640 x 350	31.5 KHz	70.1 Hz

Troubleshooting Procedures

If the LCD monitor fails to function correctly, please follow the following steps for a possible solution.

1. Perform the adjustments according to **Operating the Monitor**.
2. Refer to the following items if you cannot find a proper item listed in the **Operating the Monitor** or if the problem remains.
3. If the problem you have experienced is not described below or you cannot correct the problem, stop using the monitor and contact your dealer or the nearest service center for further assistance.

PROBLEM	CHECK TO SEE
No Display.	
a) Power indicator does not light up.	If the power cord is firmly plugged in the socket. If the power switch is turned on. If the AC socket is OK. Please check using another piece of equipment.
b) Power indicator is green.	If the blank screen saver is active, touch the keyboard or mouse. Increase the CONTRAST and/or BRIGHTNESS. If the computer is ON. If the signal cable is properly connected. If the signal timing of the computer is within the spec of the monitor.
c) Power indicator is amber.	If the monitor is on power management mode, touch the keyboard or the mouse. If the computer is ON. If the signal cable is properly connected. If the signal timing of the computer is within the spec.
Display is too dark or too bright.	If the video output level of the computer is within the spec.
Display is not in the center.	If the signal timing of the computer is within the spec.
Display is shaking.	If the power voltage is within the spec. If the signal timing of the computer is within the spec.
Display is not synchronized.	If the signal cable is properly connected. If the signal timing of the computer is within the spec. If the video output level of the computer is within the spec.



CONFORMITY AND COMPLIANCE**FCC Compliance Statement**

This equipment has been tested and found to comply with the limits for a Class B digital device, pursuant to Part 15 of the FCC Rules. These limits are designed to provide reasonable protection against harmful interference when the equipment is operated in a residential installation. This device generates, uses, and can radiate radio frequency energy and, if not installed and used in accordance with the instructions, may cause harmful interference to radio communications. However, there is no guarantee that interference will not occur in a particular installation. If this device does cause harmful interference to radio or television reception (this can be determined by turning the device off and on), you are encouraged to try to correct the interference by one or more of the following measures:

- *Reorient or relocate the receiving antenna.
- *Increase the separation between the equipment and the receiver.
- *Connect the equipment into an outlet on a circuit different from that to which the receiver is connected.
- *Consult the dealer or an experienced radio/TV technician for help.

Caution:

To comply with the limits for an FCC Class B computing device, you should use the shielded signal cord and shielded power cord supplied with this unit. The Federal Communication Commission warns that changes or modifications of the unit not expressly approved by the party responsible for compliance could void the user's authority to operate the equipment.

Radio Frequency Interference Statement**Warning:**

This is a Class B product. In a domestic environment this product may cause radio interference in which case the user may be required to take adequate measures.

Canadian Doc Notice**For Class B Computing Devices**

This digital apparatus does not exceed the Class B limits for radio noise emissions from digital apparatus as set out in the Radio Interference Regulation of the Canadian Department of Communications.

CE MARKING DECLARATION OF CONFORMITY

The LCD monitor complies with the requirements of related European standards, which include:

- Emission: EN 55022, EN 61000-3-2, EN-61000-3-3
- Immunity: EN 50082-1
- Safety: EN 60950 [Low-Voltage Directive (73/23/EEC)]

**ENERGY STAR**

This product meets the Energy Star guidelines for energy efficiency.

**TCO'99**

Congratulations! You have just purchased a TCO'99 approved and labeled products. Your choice has provided you with a product developed for professional use. Your purchase has also contributed to reducing the burden on the environment and also to the further development of environmentally adapted electronics products.

